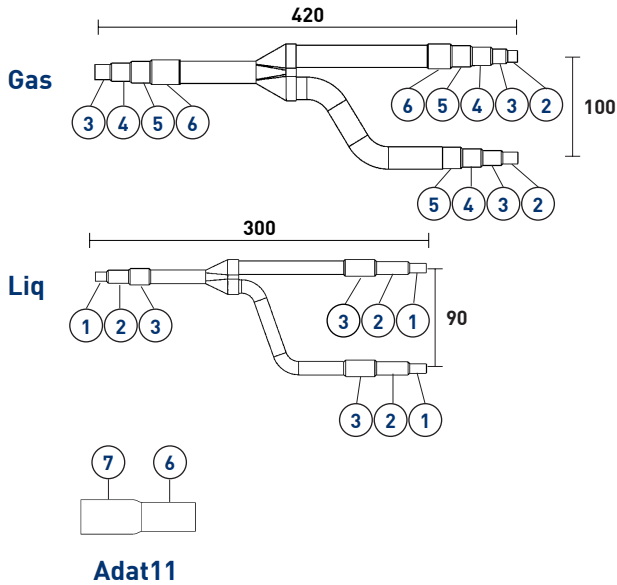


DER-30-UN-A

Derivazione Universale composta da: 1 gas + 1 liq + adattatore + coibentazione
 Universal branch joint consist of: 1 gas + 1 liq + adapter + insulation

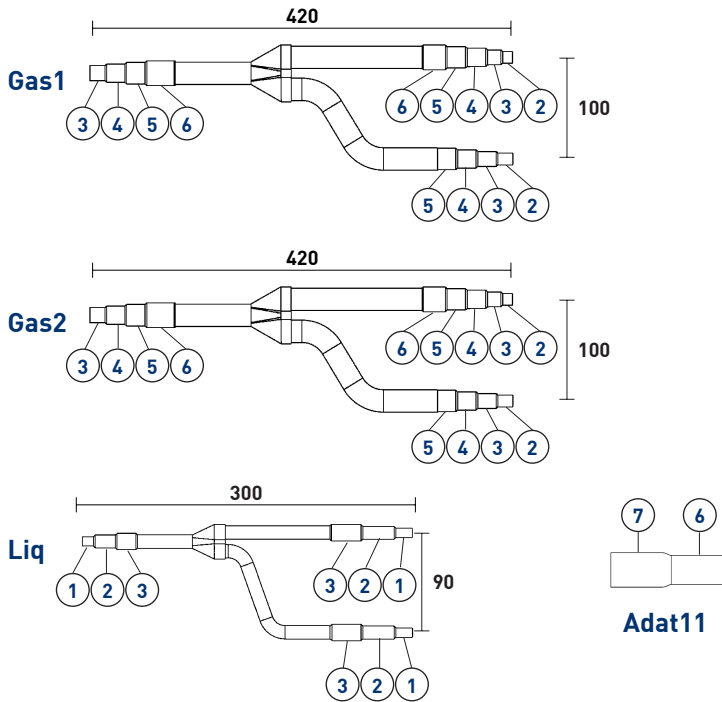
Prova tenuta/scoppio (Bar)	
Bursting test (Bar)	
Gas	Liq
160	220



DER-30-UN-A-R

Derivazione Universale composta da: 2 gas + 1 liq + adattator + coibentazione
 Universal branch joint consist of: 2 gas + 1 liq + adapters + insulation

Prova tenuta/scoppio (Bar)		
Bursting test (Bar)		
Gas1	Gas2	Liq
160	160	220



Diametri in pollici (") / Diameters in inches (")					
1	6,35 mm	1/4"	5	19,05 mm	3/4"
2	9,52 mm	3/8"	6	22,40 mm	7/8"
3	12,70 mm	1/2"	7	25,40 mm	1"
4	15,88 mm	5/8"	8	28,57 mm	1 1/8"
			9	31,75 mm	1 1/4"
			10	34,92 mm	1 3/8"
			11	38,10 mm	1 1/2"
			12	41,28 mm	1 5/8"
			13	44,45 mm	1 3/4"
			14	50,80 mm	2"